

# L'igienico

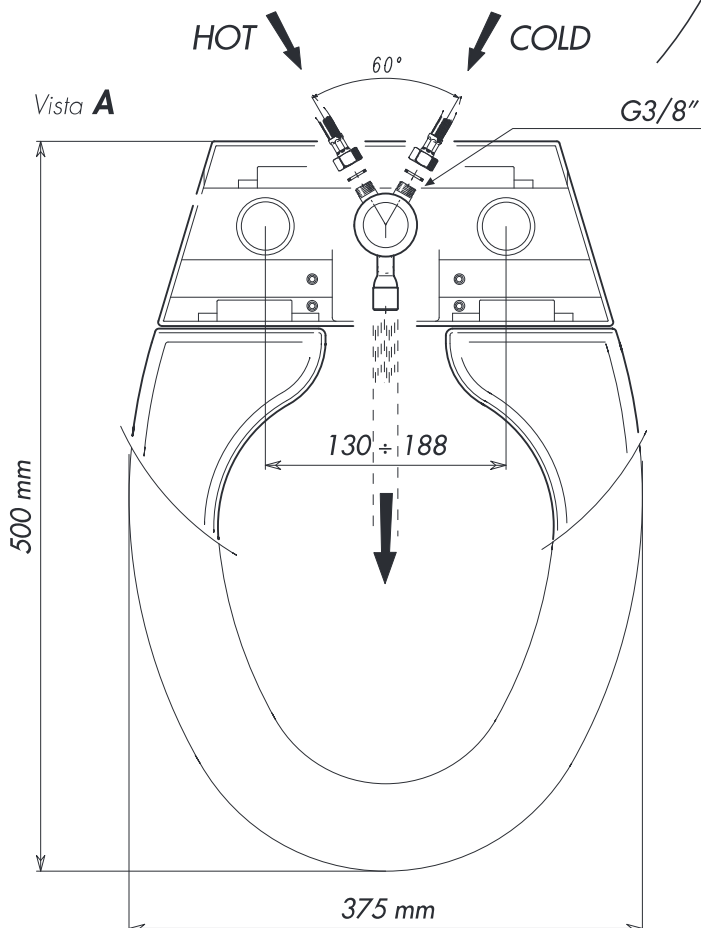
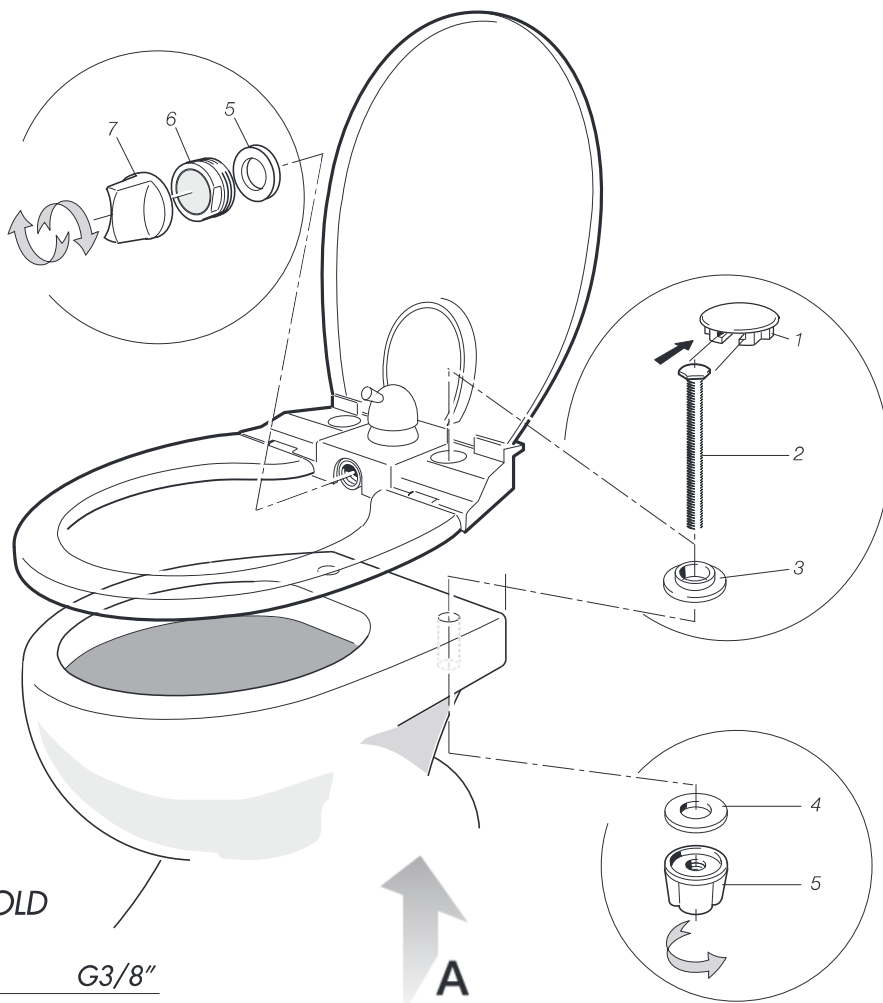
Copriwater-bidet

Scheda tecnica Art 320T GRY

## Art. 320T GRY

### L'IGIENICO Copriwater-bidet "CLASSICO" in termoindurente

- Coperchio e anello in termoindurente
- Porta miscelatore in nylon 6.6
- Viti e tiranti in acciaio inox 18/10
- Miscelatore in grivory® (tecnopolimero strutturale) con cartuccia a dischi ceramici (ns. Art.35N)
- Paracolpi antiurto in polietilene
- Chiave per rompigitto in ABS (in dotazione)



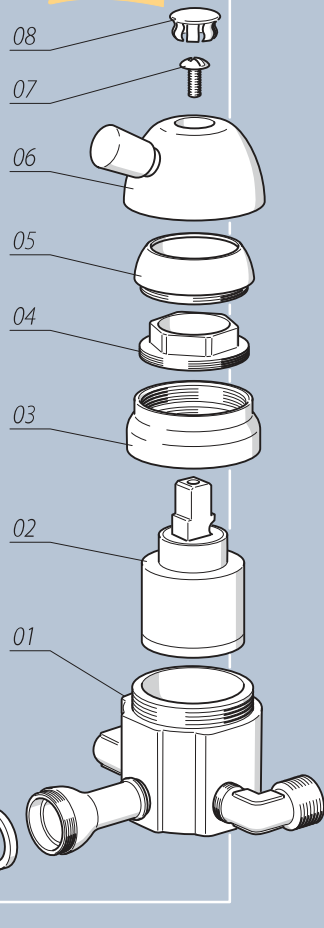
## Art. 320T GRY

### THE HYGIENIC Thermosetting toilet seat-bidet "CLASSICO"

- Thermosetting seat and lid
- 6.6 nylon mixer tap holder
- Screws and tie-rods in stainless steel 18/10
- Mixer tap in grivory® (structural technopolymer) with ceramic cartridge (Art.35N)
- Polyethylene shockproof buffer
- Key for ABS aerator (included)

**WC1200400OT** (01 - Ottone - Brass)  
**WC1200400GR** (01 - Grivory®) **NEWS**

- 01 - Ottone - Brass  
Grivory® (tecnopolimero strutturale)  
Grivory® (structural technopolymer)  
Certificato - Certificate:  
WRAS, KTW, NSF, FDA
- 02 - Art. WC127CA35N  
Nylon - vetro 30%
- 03 - Ottone cromato  
Chrome-plated brass
- 04 - Nylon - vetro 30%
- 05 - ABS cromato  
Chrome-plated ABS
- 06 - Ottone cromato  
Chrome-plated brass
- 07 - Ottone  
Brass
- 08 - Ottone cromato  
Chrome-plated brass
- 09 - NBR
- 10 - Nylon
- 11 - Ottone cromato  
Chrome-plated brass



**WC4200400OT**

- 01 - Ottone - Brass
- 02 - Art. WC127CA35N  
Nylon - vetro 30%
- 03 - Ottone cromato  
Chrome-plated brass
- 04 - Nylon - vetro 30%
- 05 - ABS cromato  
Chrome-plated ABS
- 06 - Ottone cromato  
Chrome-plated brass
- 07 - Ottone  
Brass
- 08 - Ottone cromato  
Chrome-plated brass
- 09 - NBR
- 10 - Nylon
- 11 - Ottone cromato  
Chrome-plated brass

